

OUTLINE DIMENSIONS

MOTOR TYPE:
AEUF--

DATE

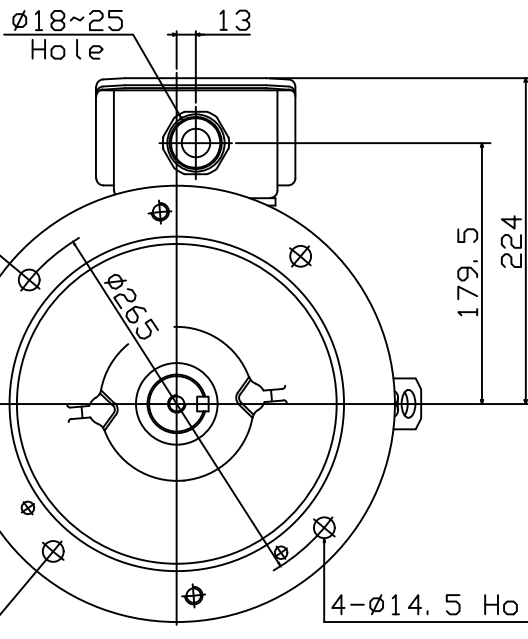
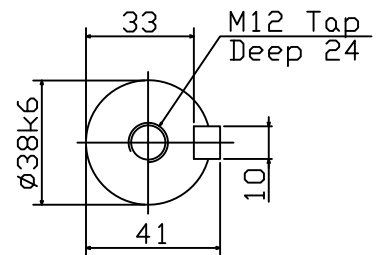
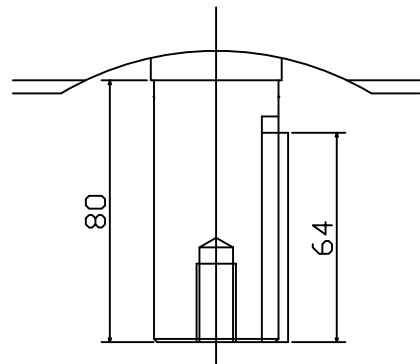
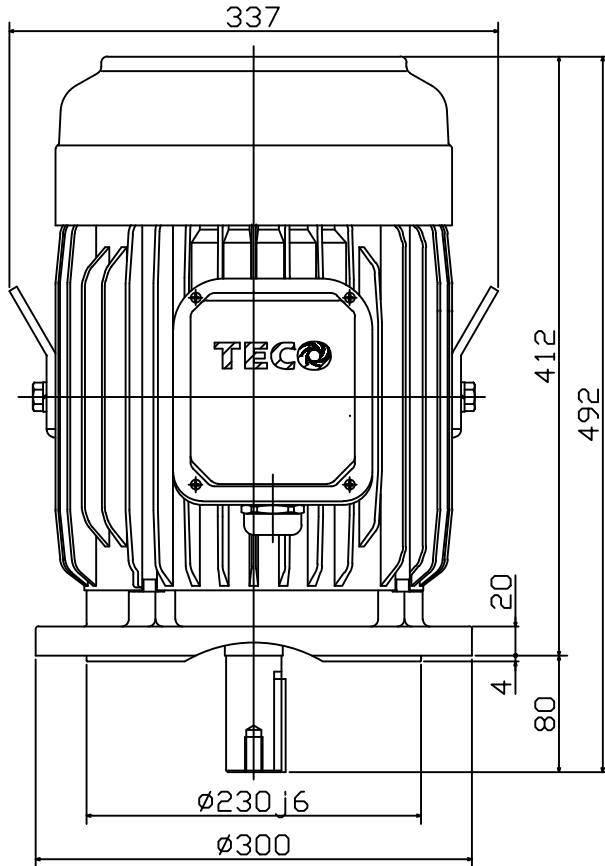
3-PHASE INDUCTION MOTOR

FRAME NO. 132M

Pole	HP	KW	Hz	VOLT	r/min
.

Ins	Rating	Dimension in	Approx Weight	Bearings
F	CONT.	mm		DE: 6308ZZ NDE: 6306ZZ

Totally Enclosed Fan-cooled Vertical Type. Squirrel-cage Rotor.



Note:

1. IP55 Protection.
2. CABLE GLAND(PF1/2")
SUITABLE FOR RANGE
 $\phi 12 \sim \phi 7$.

SA20180477--

DWG.	簡學民	03.08.18
CHKD.	簡學民	03.08.18
APPD.	徐聰豪	03.08.18

東元電機股份有限公司
TECO Electric & Machinery Co., Ltd.
TAIWAN

DWG NO.
31049R299580